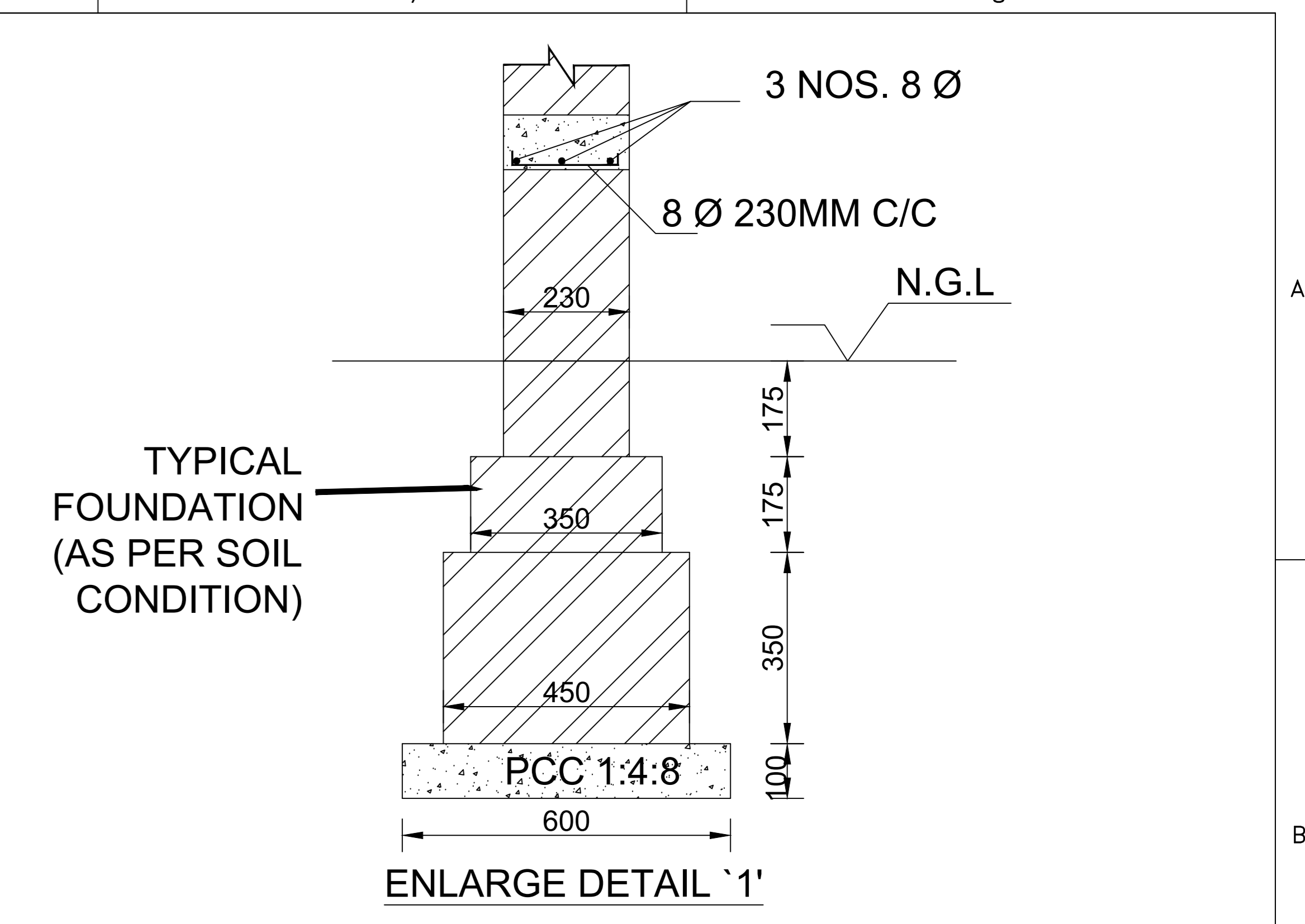


ROOF PLAN

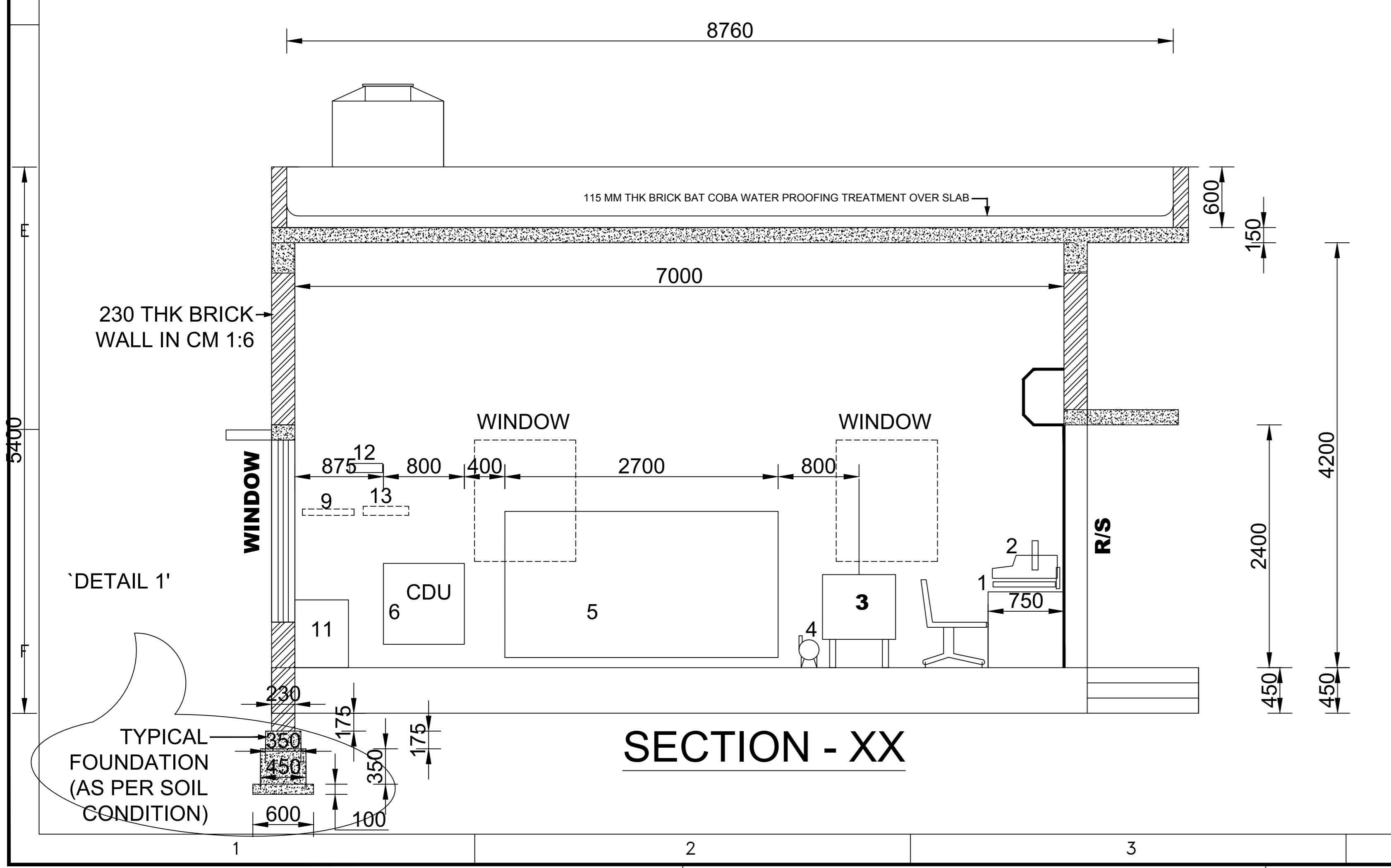


LEGEND

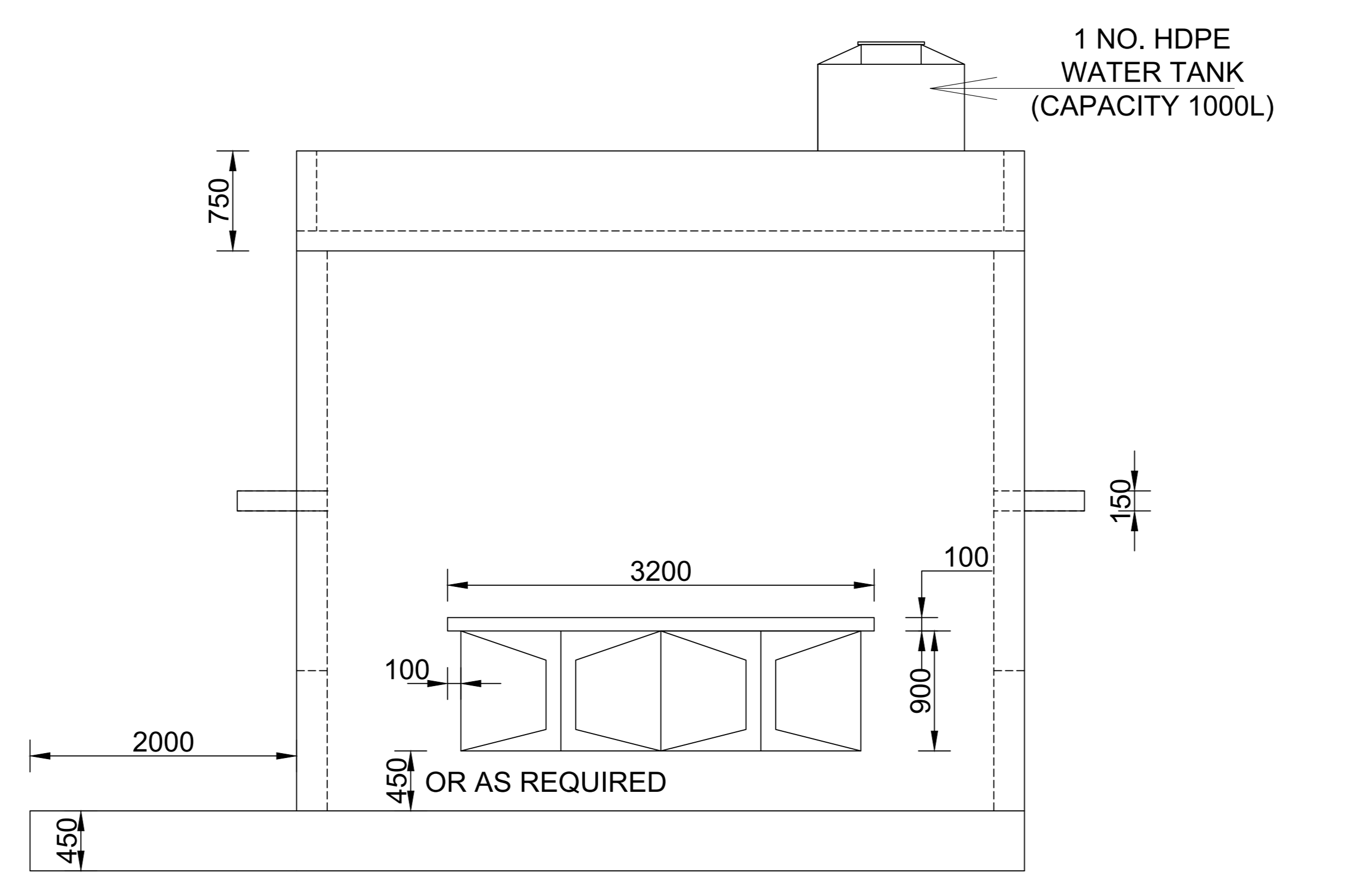
RS	ROLLING SHUTTER (2500 X 2250)
W	M.S WINDOW (3000 X 900) WITH SAFETY BAR
W1	M.S GLASS WINDOW (1200 X 900) WITH SAFETY BAR WITH 8MM X 8MM

LEGEND

1	ELECTRONIC WEIGH SCALE 200 KG
2	COMPUTER UPS, MILKO TASTER
3	BALANCE TANK - 200 L
4	MILK PUMP 5000 LPH
5	BULK COOLING TANK - 1000 L ,2000L,3000L (AS PER REQUIREMENT)
6	CONDENSING UNIT FOR BULK COOLER
7	HEAT WATER GENERATING SYSTEM
8	HDPE WATER TANK 1000 L - (ROOF)
9	REF. CONTROL PANEL
10	BMC CONTROL PANEL
11	MAIN CONTROL PANEL WITH SERVO STABILIZER
12	ELECTRICITY BOARD POWER SUPPLY
13	LIGHTING DB
14	FIRE EXTINGUISHER
15	WASH POINT
16	SS SINK
17	D.G.SET - 10 / 15 / 20 KVA
18	SOAK PIT (OUTSIDE)



SECTION - XX



REAR VIEW

1500MM HIGH CERAMIC TILE

SHEET TITLE:-

BMC LAYOUT - (TYPICAL)

DRN BY		DRG. NO.	REV.
CHD BY			
APPROVED			
CLIENT	PCDF		
P.O.NO.			
DESTINATION			